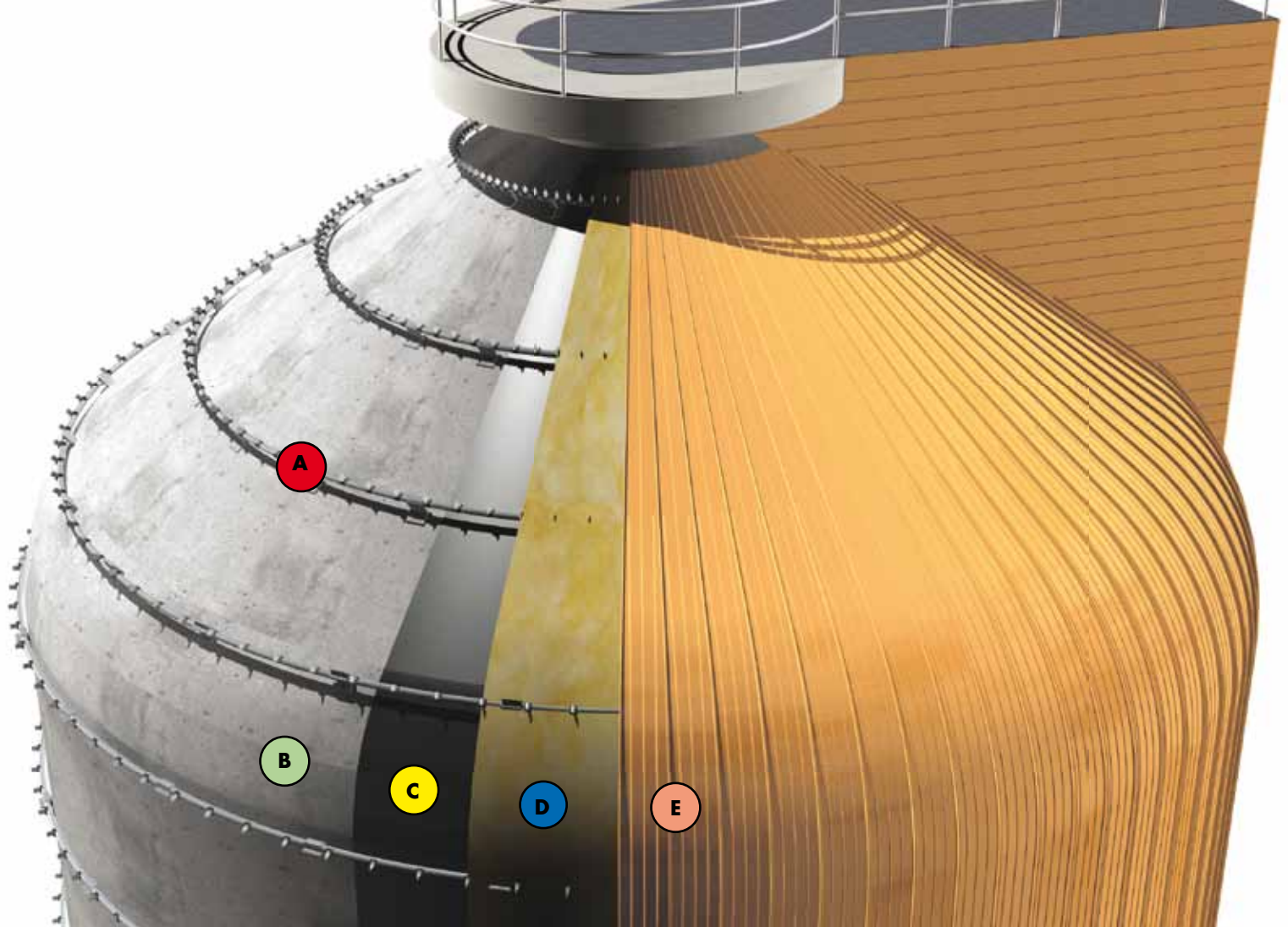




BEMO-DOME
QUICK, EASY AND COST-EFFICIENT
THE SUBSTRUCTURE FOR MONRO SYSTEMS



Construction proposal

- A** BEMO-DOME substructure system
 - 1 BEMO holder
 - 2 BEMO rotatable thermal spacer pad
 - 3 BEMO bracket
 - 4 BEMO cylindrical tube
 - 5 BEMO fixing profile

- B** Subsurface (e.g. reinforced concrete)
- C** Vapour barrier (may be required for structural physical test)
- D** Mineral thermal insulation

- E** BEMO MONRO profiles (MONRO profiles are BEMO standing seam profiles with variable widths and forms)



BEMO-DOME SUBSTRUCTURE FOR MONRO SYSTEMS

CURVES OF THE FUTURE

Give your building a new look – quick, cost-efficient and long-lasting.

A flexible solution for any shape!

BEMO-DOME

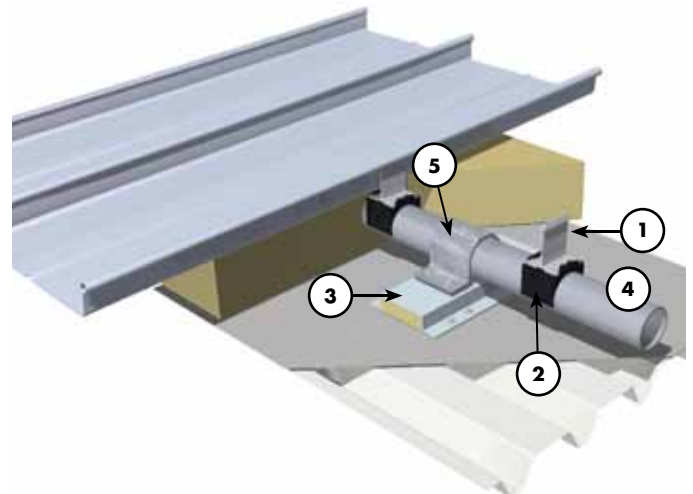
OUR DESIGN:

If required, we attach a **vapour barrier** (C) to a wooden, brick, or concrete subsurface or steel structure (B) using **dowelled brackets** (3), illustrated here as an L Angle, to support the **circular tubes** (4) in the **BEMO-DOME substructure system** (A) that encircles the building. We also ensure that the circulating rings fit the shape of your building, making them narrower whenever necessary. Depending on the shape of your building, the tubes don't necessarily have to be ring-shaped but may resemble contour lines. We can easily offset unevenness in your building shell with the fixing profile (5) that is variably attached to the brackets (3). The distance construction part is adjusted and fixed onto the tubes using the **BEMO holders*** (1). To prevent condensation, we completely fill the space, right up to the shell, with **mineral thermal insulation** (D) which is semi-solid in the vertical part of the façade and soft on the upper edges.

The installation of **MONRO profiles** (E) is now quick and easy: the MONRO profile is inserted into the pre-mounted holders and pre-flanged by machine for stable fastening without penetrating your roof!

We provide smooth, even, aesthetic, urban-looking outer shells. Your choices are endless thanks to our range of materials, surfaces and coatings!

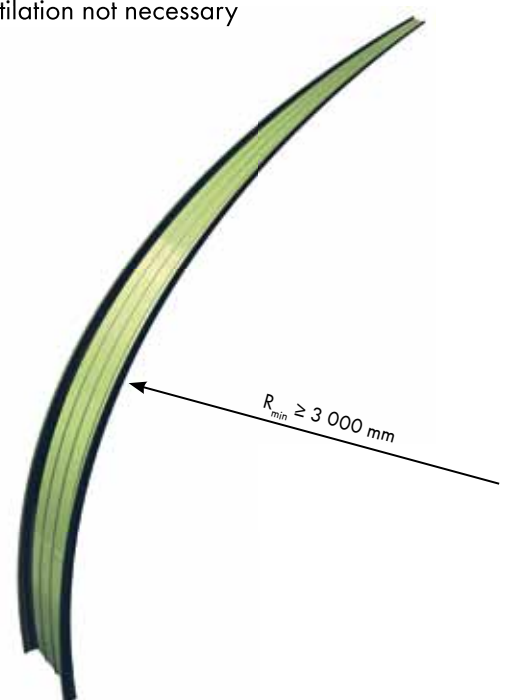
With **BEMO-FLON** you'll have a particularly durable and corrosion-resistant coating, available in a wide range of colours and gloss levels.



(A) - BEMO-DOME substructure system

YOUR BENEFITS:

- Unevenness counterbalanced
- Flexible system provided for every shape and size
- Quick mounting of BEMO-DOME thanks to our ready-made system components
- Shell installation without penetrating your roof
- Free thermal elongation of profiles on BEMO glide holders
- Smooth, even finish
- Great design possibilities thanks to our wide range of materials, surfaces and coatings
- BEMO-FLON's easy-to-clean coatings
- No build up of condensation
- Rear ventilation not necessary



* also available in rotatable version



SYSTEM SOLUTIONS FOR ROOFING AND CLADDING

BEMO Systems GmbH

Friedrich-List-Straße 25
D-74532 Ilshofen-Eckartshausen
Tel.: +49 7904 9714-0
Fax: +49 7904 9714-157
E-mail: info@bemo.com

www.bemo.com